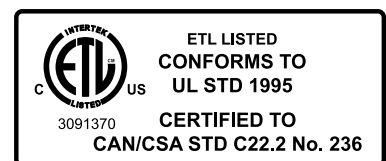


Water Source Heat Pumps

*Horizontal & Vertical Mounted
(1/2 to 6 Ton)*



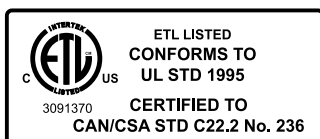
**ASHRAE 90.1 Efficient
Compliant**



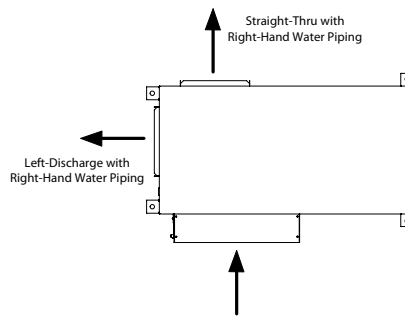
M3 Heat Pump™ horizontal ceiling and vertical floor mounted water source heat pumps are the space saving environmental control solution to your comfort cooling and heating needs. Available from 1/2 to 6 Tons in a wide variety of cabinet configurations including a full range of options, **M3 Heat Pump™** are a step above!



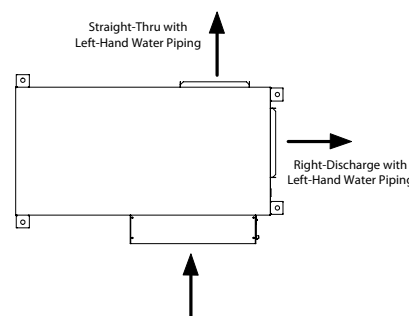
- ☑ **ASHRAE 90.1 Efficient Compliant**
- ☑ **Environmentally friendly R410a refrigerant**
- ☑ **Compact low profile horizontal unit cabinet heights & vertical unit foot-prints**
- ☑ **Low sound quiet operation**
- ☑ **Flexible options and accessories**



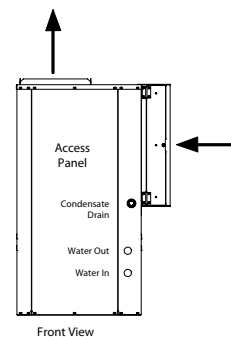
Variety of Air Pattern & Piping Configurations



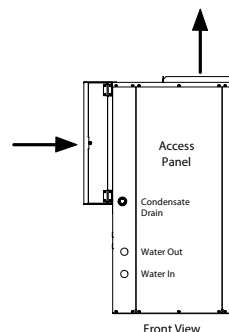
HWH-__-__-STRH or LDRH
(Horizontal Ceiling Mtd, Plan View)



HWH-__-__-STLH or RDLH
(Horizontal Ceiling Mtd, Plan View)



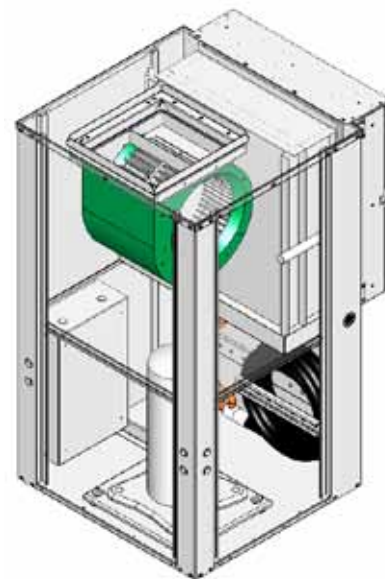
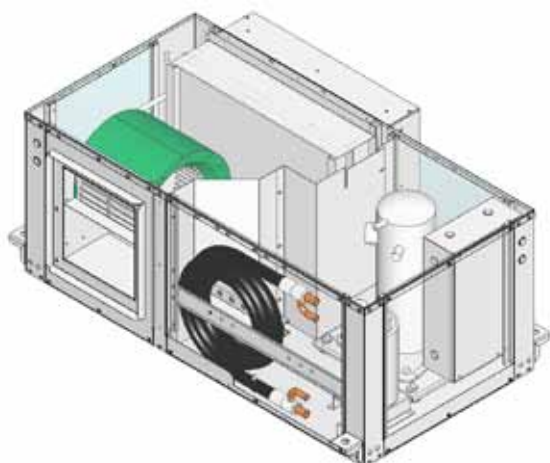
VWH-__-__-RRTD
(Vertical Floor Mtd, Right Return w/ Top Discharge)



VWH-__-__-LRTD
(Vertical Floor Mtd, Left Return w/ Top Discharge)

M3 Heat Pump™ Systems are designed to meet your unique application dependent requirements. Select from a wide range of options and configurations:

Horizontal Ceiling Mounted



Vertical Floor Mounted

Variety of Standard & Optional Features



Standard Features:

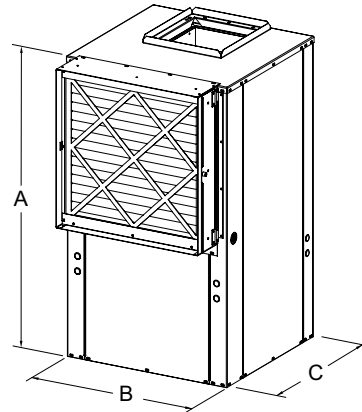
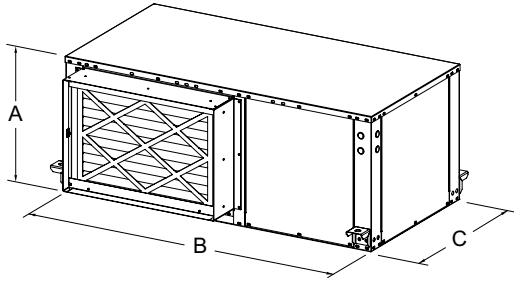
- Viconics VT7600W Water Source Heat Pump Room Controller w/ Optional BacNet MS/TP
- Scroll & Rotary Compressor
- Heat Pump Duty Copper Coaxial Condenser
- 4-Way 24V Heat Pump Reversing Valve
- Bi-Flow Ext. Range Thermal Expansion Valve
- Bi-Flow Refrigerant Filter-Drier
- Stainless Steel Drain Pan w/ Overflow Switch
- Unit Protection Module w/ High & Low Refrigerant Pressure Switches
- Inlet Blower-Ring for Ease of Service
- Closed Cell Insulation
- Flush FPT Water Fittings
- Merv-8 or Merv-13 Air Filtration (2")

Optional Features & Accessories:

- ECM Blower Motors
- Hot Gas Bypass
- Hot Gas Reheat Coil w/ 3-Way Reclaim Valve
- 2-Way Motorized Water Valve - factory installed
- Water-Side Economizers
- Condensate Pumps (Plenum Rated)
- Main Power Electrical Disconnect
- Smoke Detector
- Remote Water-Leak Detector
- Compressor Sound Jacket
- Hose Kits - Automatic & Manual Balancing
- Cupro-Nickel Coaxial Condenser
- Glycol Pump Packages & Drycoolers
- ... and more!

TECHNICAL DATA

Dimensional Data:



Horizontal Cabinet Size	Dimensions		
	A (Height)	B (Width)	C (Depth)
007 - 012	11.5"	33"	19"
015 - 030	18"	44"	22"
036 & 042	19.5"	54"	22"
048 & 060	21"	65"	25"
072	21"	77"	25"

Vertical Cabinet Size	Dimensions		
	A (Height)	B (Width)	C (Depth)
007 - 012	25"	19"	19"
015 - 030	40"	23"	21.5"
036 & 042	44"	26"	21.5"
048 & 060	50"	32.5"	24"
072	58"	34"	26"

Performance Data:

Model Number	Condenser Water Loop				Technical Data			
	Cooling 86°F		Heating 68°F		CFM	Compressor Type (Qty. 1)	Fan Motor Type / Speeds	Available Power Supplies
	Cooling Capacity (MBH)	EER	Heating Capacity (MBH)	COP				
H/VWH-007	6.28	12.3	8.03	5.4	300	Rotary	PSC / 3	208 & 277/1/60
H/VWH-009	8.45	12.5	10.20	4.8	300	Rotary	PSC / 3	208 & 277/1/60
H/VWH-012	11.23	12.3	13.39	4.4	400	Rotary	PSC / 3	208 & 277/1/60
H/VWH-015	13.80	12.9	16.58	4.5	500	Rotary	PSC / 3	208 & 277/1/60
H/VWH-018	19.98	13.5	22.87	4.7	600	Scroll	PSC or ECM / 3	208 & 277/1/60
H/VWH-024	24.10	13.5	27.40	4.5	800	Scroll	PSC or ECM / 3	208 & 277/1, 208 & 460/3/60
H/VWH-030	30.08	13.3	34.40	4.4	1,000	Scroll	PSC or ECM / 3	208 & 277/1, 208 & 460/3/60
H/VWH-036	39.04	14.8	43.05	4.7	1,200	Scroll	PSC or ECM / 3	208 & 277/1, 208 & 460/3/60
H/VWH-042	41.20	13.8	47.69	4.4	1,400	Scroll	PSC or ECM / 3	208/1, 208 & 460/3/60
H/VWH-048	47.28	13.1	58.09	4.4	1,600	Scroll	PSC or ECM / 3	208/1, 208 & 460/3/60
H/VWH-060	59.64	13.1	69.22	4.4	2,000	Scroll	PSC or ECM / 3	208/1, 208 & 460/3/60
H/VWH-072	65.92	13.4	74.98	4.5	2,200	Scroll	PSC or ECM / 3	208/1, 208 & 460/3/60

* Cooling capacities are based on EAT = 80.6°F DB / 66.2°F WB and Heating capacities are based on 68°F EAT based on AHRI/ISO 13256-1 Rating Standards.



An AboveAir Company

5179 Mountville Road
Frederick, Maryland 21703, U.S.A.
Phone: 301-874-1130, Facsimile: 301-874-1131

Email: sales@m3heatpump.com

Copyright 05/16
Form: MC-L12

Specifications are subject to change without notice.