

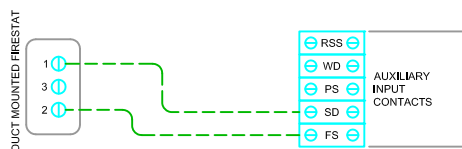
**LEGEND**

- \* FACTORY PROVIDED, FIELD WIRED
  - \*\* BY OTHERS
  - ^^ REFER TO DETAILS
- TERMINAL
  - FIELD WIRING
  - FACTORY JUMPER OR AUX DEVICE
  - 24V POWER
  - COMMON
  - 24V CONTROL OUTPUT
  - 24V CONTROL INPUT
  - ALARM/DRY CONTACT
  - SHIELDED CABLE

**GENERAL CONTROL NOTES**

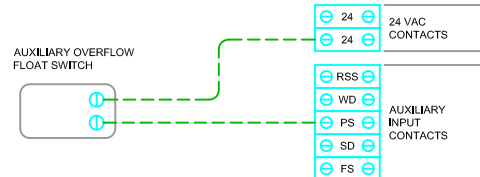
- THESE WIRING SCHEMATICS ARE SUPPLEMENTS PROVIDED TO ASSIST YOU IN WIRING THE FIELD INSTALLED DEVICE; THEY DO NOT REPLACE THE WIRING DIAGRAMS INCLUDED WITH THE FIELD-INSTALLED DEVICE. VERIFY THAT THE WIRING COLORS AND TERMINAL NAMES MATCH THE LATEST WIRING INCLUDED WITH YOUR DEVICE.
- VDC SIGNALS ARE POLARITY SENSITIVE. FAILURE TO OBSERVE POLARITY MAY RESULT IN IMPROPER OPERATION AND DAMAGE TO SENSORS OR OTHER DEVICES.
- ALL WIRING IS 24VAC LOW VOLTAGE CONTROL WIRING.
- 24VAC AND COMMON TERMINALS CONNECTED VIA CENTRAL JUMPER. ALL TERMINALS INSTALLED IN THE UNIT LABELED 24-# AND C-# ARE POWERED FROM THE SAME TRANSFORMER AND MAY BE USED INTERCHANGEABLY.
- ALL DEVICES ARE WIRED THROUGH NC CONTACTS AND ALARM ON LOSS OF 24VAC SIGNAL.
- REMOVE THE FACTORY INSTALLED JUMPER AND INSTALL THE DEVICE AS INDICATED; LEAVE ALL UNUSED JUMPERS IN PLACE.
- FIELD SUPPLIED DAMPERS, VALVES, SOLENOIDS, ETC. MAY NOT BE POWERED FROM UNITS TRANSFORMERS UNLESS SPECIFICALLY NOTED.

**DUCT-MOUNTED FIRESTAT**



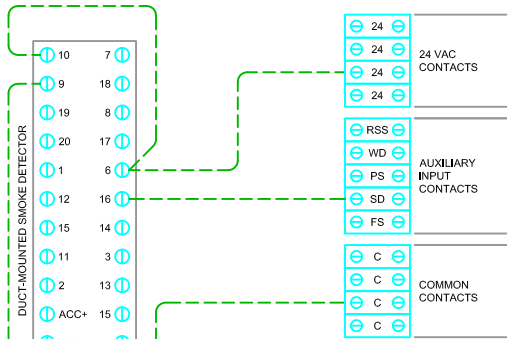
NOTE: FIRESTAT REQUIRES MANUAL RESET OF DEVICE.

**CONDENSATE PUMP AUXILIARY OVERFLOW SAFETY SWITCH**



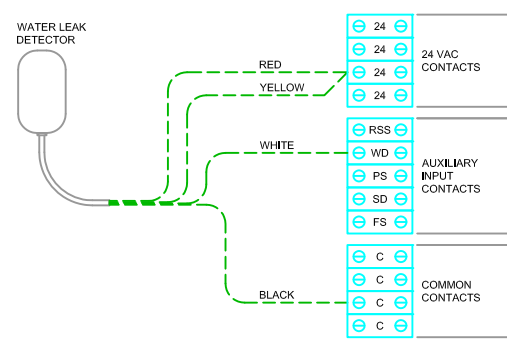
NOTE: CONDENSATE PUMP INCLUDES LEADS PRE-WIRED FOR NC SWITCH.

**DUCT-MOUNTED SMOKE DETECTOR**



NOTE WIRING FOR UNIT SHUTDOWN ONLY. REFER TO SMOKE DETECTOR MANUAL FOR INFORMATION ON CONNECTING TO LIFE SAFETY SYSTEM.

**PROBE-TYPE WATER LEAK DETECTOR**

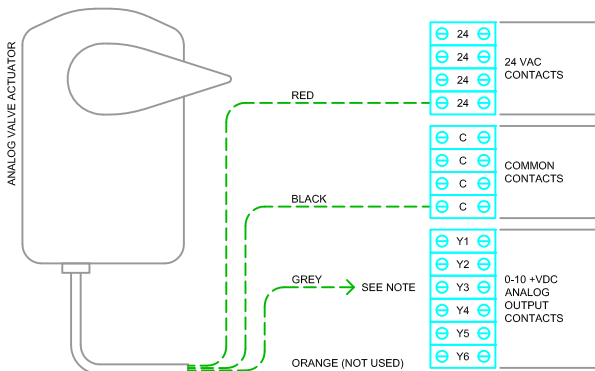


NOTE: ORANGE, GREEN, BROWN, AND BLUE LEADS NOT USED. REFER WATER DETECTOR IOM IF AUX CONNECTION TO WATER DETECTOR IS DESIRED.

**0-10 VDC MODULATING WATER VALVE**

VALVES FOR FIELD INSTALLATION INCLUDED WITH THIS UNIT CHECKED BELOW:

- HOT WATER VALVE
- FREECOOL WATER VALVE
- STEAM WATER VALVE
- CONDENSER WATER VALVE
- CHILLED WATER VALVE

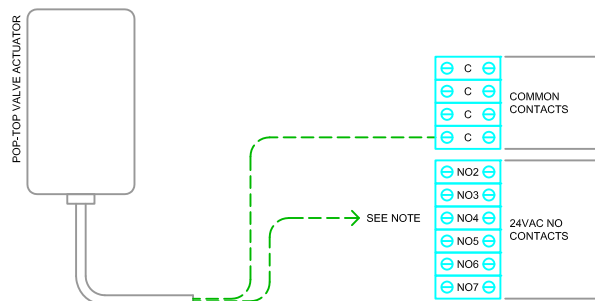


NOTE: REFER TO UNIT WIRING DIAGRAM FOR POINT OF CONNECTION.

**ON/OFF WATER VALVE**

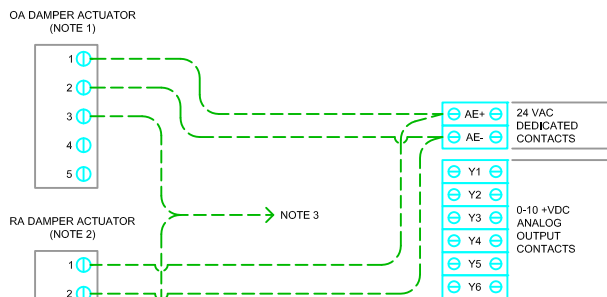
VALVES FOR FIELD INSTALLATION INCLUDED WITH THIS UNIT CHECKED BELOW:

- HOT WATER VALVE
- FREECOOL WATER VALVE
- STEAM WATER VALVE
- CONDENSER WATER VALVE
- CHILLED WATER VALVE



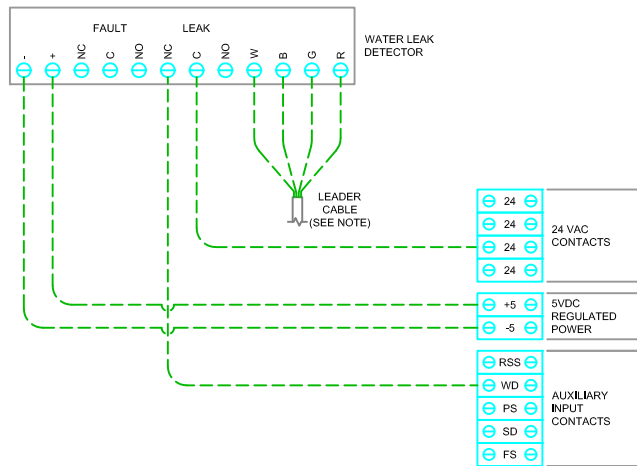
NOTE: REFER TO UNIT WIRING DIAGRAM FOR POINT OF CONNECTION.

**AIRSIDE ECONOMIZER DAMPER ACTUATORS**



NOTE 1: OA DAMPER SET FOR 0-10 VDC (MODE 3, DIRECT ACTING)  
 NOTE 2: RA DAMPER SET FOR 0-10 VDC (MODE 4, REVERSE ACTING)  
 NOTE 3: REFER TO UNIT WIRING DIAGRAM FOR POINT OF CONNECTION. BOTH DAMPER +VDC ANALOG INPUTS WILL BE LANDED AT THE SAME TERMINAL.

**CABLE TYPE WATER LEAK DETECTOR**



NOTE: CABLE TYPE WATER LEAK DETECTOR INCLUDES EOL CONNECTOR, SENSING CABLE, AND LEADER CABLE. REFER TO THE WATER DETECTOR IOM FOR MORE INFORMATION.