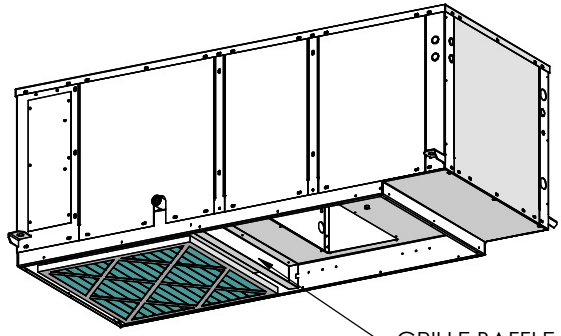
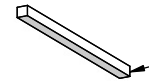


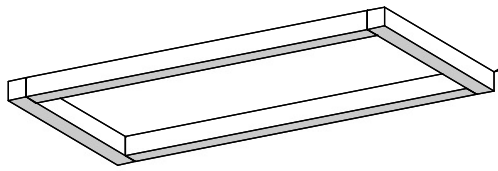
| REVISIONS | | | | | | | |
|-----------|-----|-------------|------|----|------|------|------|
| ZONE | REV | DESCRIPTION | DATE | BY | CHKR | ENGR | APVD |
| | | | | | | | |
| | | | | | | | |



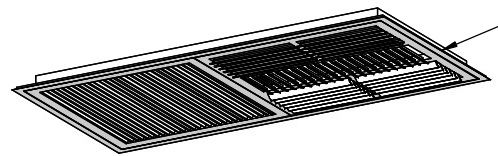
GRILLE BAFFLE



1-1/4 SQUARE FOAM INSULATION - CUT TO 22-3/4" LONG AND GLUE TO BOTTOM OF GRILLE BAFFLE

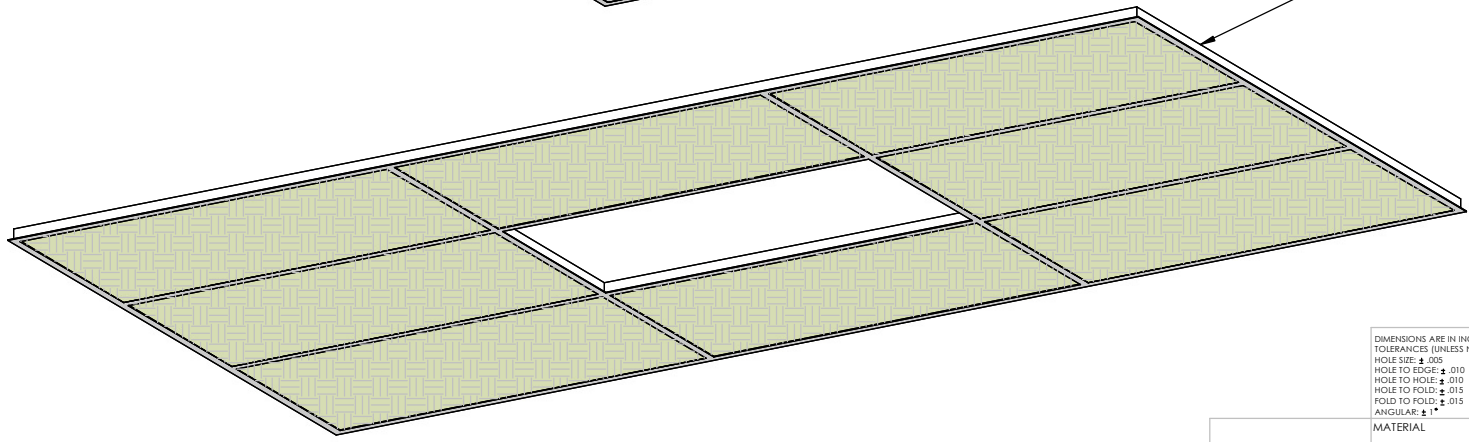


2-1/4 SQUARE FOAM INSULATION - CUT TO FIT AROUND GRILLE



GRILLE

2x4 CEILING GRID



DIMENSIONS ARE IN INCHES
 TOLERANCES (UNLESS NOTED):
 HOLE SIZE: ± .005
 HOLE TO EDGE: ± .010
 HOLE TO HOLE: ± .010
 HOLE TO FOLD: ± .015
 FOLD TO FOLD: ± .015
 ANGULAR: ± 1°

AboveAir Technologies, LLC

TITLE: Layout, SpotCool 1-2T Evap - Ceiling Installation

| | | | | | |
|-------|------|------|-------------|---------------|--------------|
| DRAWN | NAME | DATE | SIZE | DWG. NO. | REV |
| CHKR | | | C | LT1200 | - |
| ENGR | | | SCALE: 3:32 | | SHEET 1 OF 1 |
| MGR | | | | | |

ECN NO. ECN06C004