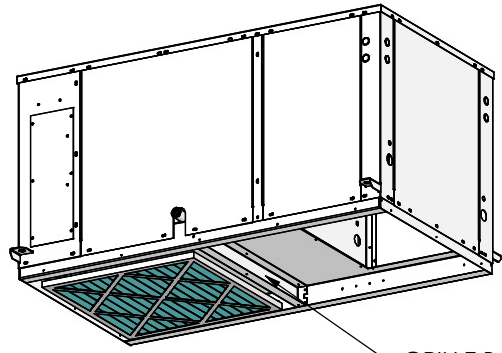
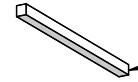


REVISIONS									
ZONE	REV	DESCRIPTION	DATE	BY	CHKR	ENGR	APVD		

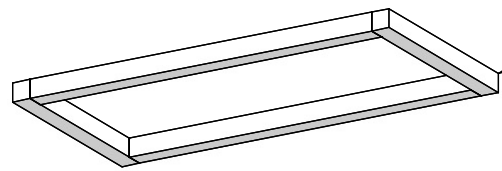


GRILLE BAFFLE

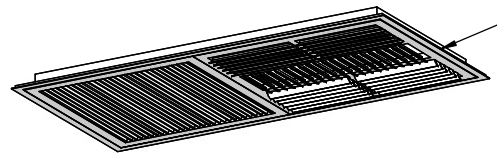
1-1/4 SQUARE FOAM INSULATION - CUT TO 22-3/4" LONG AND GLUE TO BOTTOM OF GRILLE BAFFLE



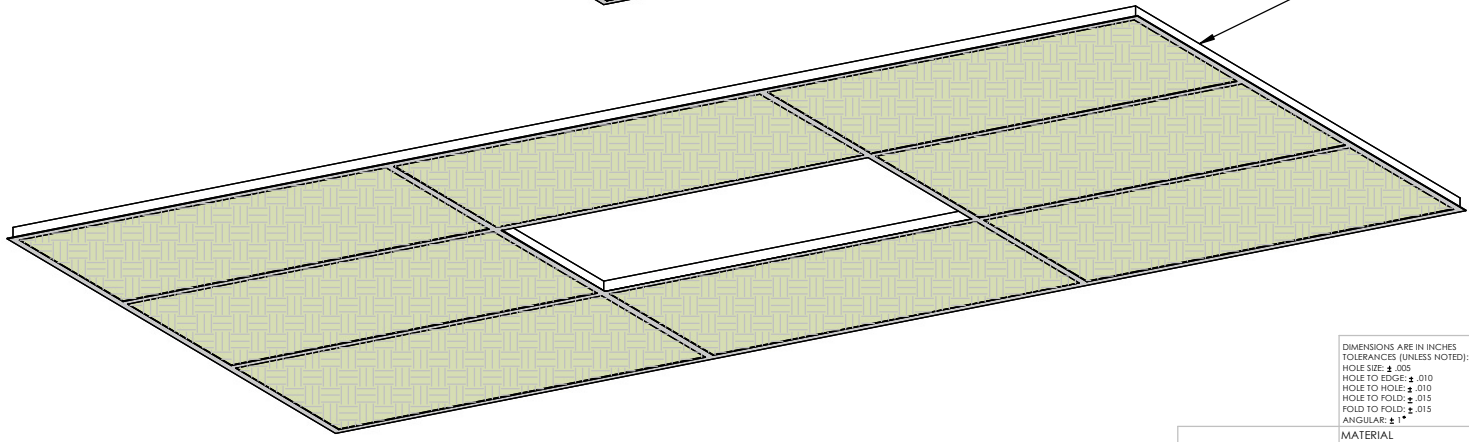
2-1/4 SQUARE FOAM INSULATION - CUT TO FIT AROUND GRILLE



GRILLE



2x4 CEILING GRID



DIMENSIONS ARE IN INCHES
 TOLERANCES (UNLESS NOTED):
 HOLE SIZE: $\pm .005$
 HOLE TO EDGE: $\pm .010$
 HOLE TO HOLE: $\pm .010$
 HOLE TO FOLD: $\pm .015$
 FOLD TO FOLD: $\pm .015$
 ANGULAR: $\pm 1^\circ$

MATERIAL

ECN NO.
 ECN06C004

AboveAir Technologies, LLC

TITLE:
 Layout, SpotCool 3T Evap -
 Ceiling Installation

DRAWN	NAME	DATE	SIZE	DWG. NO.	REV
CHKR			C	LT1201	-
ENGR			SCALE: 3:32		SHEET 1 OF 1
MGR					