



### Horizontal & Vertical



#### Features & Benefits

- ASHRAE / DOE 90.1 Energy Efficient Compliant
- 1/2 to 6 Tons
- A/C Only & Heat Pumps Systems
- Variety of Air Pattern Configurations
- Rotary & Scroll Compressors (Fixed & 2-Speed Options)
- ECM Fan Motor Technology
- Hot Gas Reheat (all sizes!)
- Hot Water or Steam Heat Coils
- Free-Cooling Water/Glycol-Side Economizer Coils
- BACnet BMS Communications
- Glycol Pump Packages & Drycoolers Available!

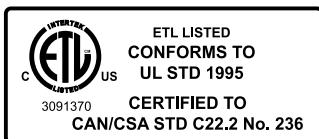


## AboveAir M3 Heat Pump™

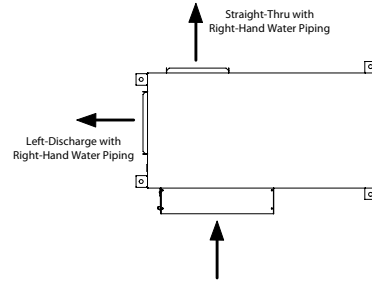
horizontal ceiling and vertical floor mounted water source heat pumps are the space saving environmental control solution to your comfort cooling and heating needs. Available from 1/2 to 6 Tons in a wide variety of cabinet configurations including a full range of options, M3 Heat Pumps are a step above!



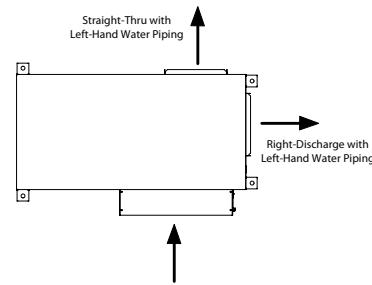
- ☑ ASHRAE 90.1 Efficient Compliant
- ☑ Environmentally friendly R410a refrigerant
- ☑ Compact low profile horizontal unit cabinet heights & vertical unit foot-prints
- ☑ Low sound quiet operation
- ☑ Flexible options and accessories



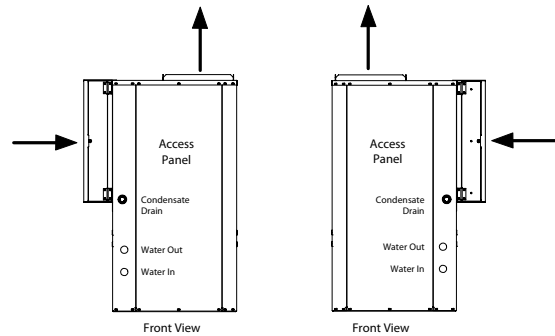
## Variety of Air Pattern Configurations



**Left-Return Air - Models M3H - - -LRST or LRLD**  
(Horizontal Ceiling Mtd, Plan View)



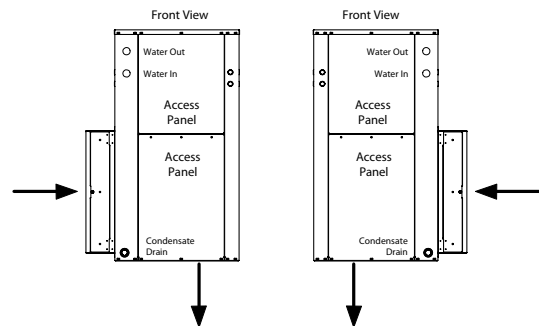
**Right-Return Air - Models M3H - - -RRST or RRRD**  
(Horizontal Ceiling Mtd, Plan View)



LRTD - Left Return Air

RRTD - Right-Return Air

**Models M3V - - -LRTD or RRTD**  
(Vertical Floor Mtd, w/ Top Discharge)



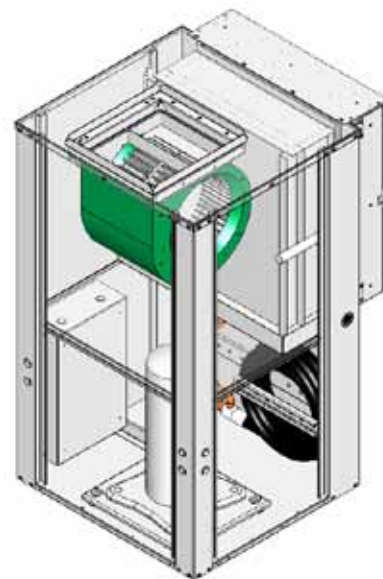
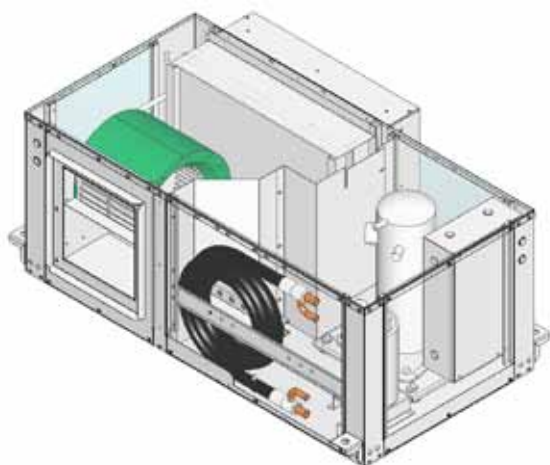
LRCF - Left-Return Air

RRCF - Right-Return Air

**Models M3V - - -LRCF or RRCF**  
(Vertical Floor Mtd, w/ Counterflow (Downflow))

**M3 Heat Pump™** Systems are designed to meet your unique application dependent requirements. Select from a wide range of options and configurations:

## Horizontal Ceiling Mounted



## Vertical Floor Mounted

## Variety of Standard & Optional Features



### Standard Features:

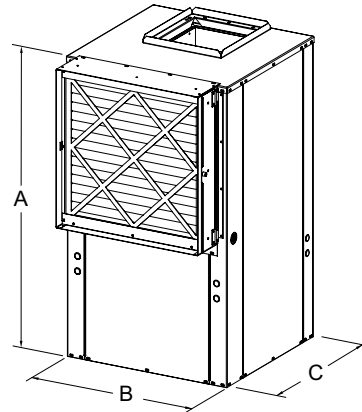
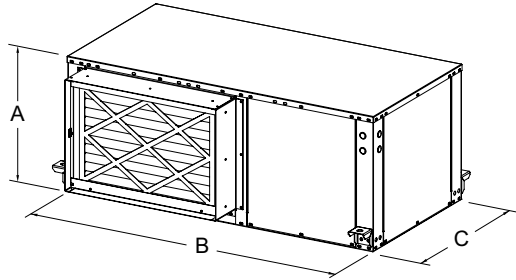
- Viconics VT7600W Water Source Heat Pump
- Room Controller w/ Optional BacNet MS/TP
- Scroll or Rotary Compressor
- Heat Pump Duty Copper Coaxial Condenser
- 4-Way 24V Heat Pump Reversing Valve
- Bi-Flow Ext. Range Thermal Expansion Valve
- Bi-Flow Refrigerant Filter-Drier
- Stainless Steel Drain Pan w/ Overflow Switch
- Unit Protection Module w/ High & Low Refrigerant Pressure Switches
- Inlet Blower-Ring for Ease of Service
- Closed Cell Insulation
- Compressor Floating Vibration Mounting Plate
- Merv-8 or Merv-13 Air Filtration

### Optional Features & Accessories:

- ECM Blower Motors
- Hot Gas Bypass
- Hot Gas Reheat Coil w/ 3-Way Reclaim Valve
- 2-Way Water/Glycol Regulating & Zone Valves
- Water-Side Economizers
- Condensate Pumps (Plenum Rated)
- Main Power Electrical Disconnect
- Smoke Detector
- Remote Water-Leak Detector
- Compressor Sound Jacket
- Hose Kits - Automatic & Manual Balancing
- Cupro-Nickel Coaxial Condenser
- Glycol Pump Packages & Drycoolers
- ... and more!

# TECHNICAL DATA

## Dimensional Data:



Horizontal Cabinet Size	Dimensions		
	A (Height)	B (Width)	C (Depth)
<b>007 - 012</b>	11.5"	33"	19"
<b>015 - 030</b>	18"	44"	22"
<b>036 &amp; 042</b>	19.5"	54"	22"
<b>048 &amp; 060</b>	21"	65"	25"
<b>072</b>	21"	77"	25"

Vertical Cabinet Size	Dimensions		
	A (Height)	B (Width)	C (Depth)
<b>007 - 012</b>	25"	19"	19"
<b>015 - 030</b>	40"	23"	21.5"
<b>036 &amp; 042</b>	44"	26"	21.5"
<b>048 &amp; 060</b>	50"	32.5"	24"
<b>072</b>	58"	34"	26"

## Performance Data:

Model Number	Condenser Water Loop				Technical Data			
	Cooling 86°F		Heating 68°F		CFM	Compressor Type (Qty. 1)	Fan Motor Type	Available Power Supplies
	Cooling Capacity (MBH)	EER	Heating Capacity (MBH)	COP				
<b>M3H/V_-007</b>	6.28	12.3	8.03	5.4	300	Rotary	PSC / 3	208 & 277/1/60
<b>M3H/V_-009</b>	8.45	12.5	10.20	4.8	350	Rotary	PSC / 3	208 & 277/1/60
<b>M3H/V_-012</b>	11.23	12.3	13.39	4.4	400	Rotary	PSC / 3	208 & 277/1/60
<b>M3H/V_-015</b>	13.80	12.9	16.58	4.5	500	Rotary	ECM / 3	208 & 277/1/60
<b>M3H/V_-018</b>	19.98	13.5	22.87	4.7	600	Scroll	ECM / 3	208 & 277/1/60
<b>M3H/V_-024</b>	24.10	13.5	27.40	4.5	800	Scroll	ECM / 3	208 & 277/1, 208 & 460/3/60
<b>M3H/V_-030</b>	30.08	13.3	34.40	4.4	1,000	Scroll	ECM / 3	208 & 277/1, 208 & 460/3/60
<b>M3H/V_-036</b>	39.04	14.8	43.05	4.7	1,200	Scroll	ECM / 3	208 & 277/1, 208 & 460/3/60
<b>M3H/V_-042</b>	41.20	13.8	47.69	4.4	1,400	Scroll	ECM / 3	208 & 277/1, 208 & 460/3/60
<b>M3H/V_-048</b>	47.28	13.1	58.09	4.4	1,600	Scroll	ECM / 3	208 & 277/1, 208 & 460/3/60
<b>M3H/V_-060</b>	59.64	13.1	69.22	4.4	2,000	Scroll	ECM / 3	208 & 277/1, 208 & 460/3/60
<b>M3H/V_-072</b>	65.92	13.4	74.98	4.5	2,200	Scroll	ECM / 3	208 & 277/1, 208 & 460/3/60

\* Cooling capacities are based on EAT = 80.6°F DB / 66.2°F WB and Heating capacities are based on 68°F EAT based on AHRI/ISO 13256-1 Rating Standards.